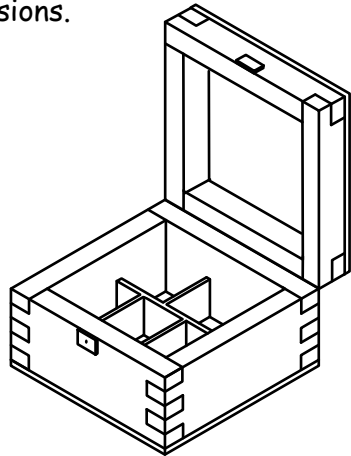


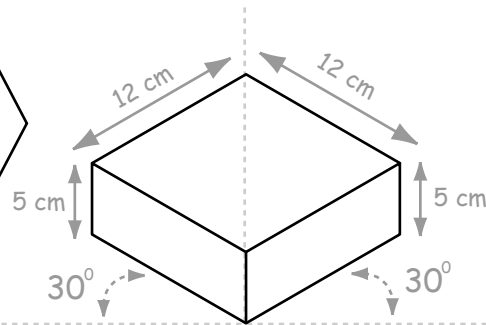
Isometric projection box (Page 1 of 3)

We will now do exactly the same but your box ideas. Remember only draw at 90 and 30. You will need to add in your box lid, finger joints, hinges and clasps and the inside of your box. Don't forget to include your dimensions.

You will now learn how to draw a 3D box to scale. This box is 12cm x 12cm so if yours is a rectangle you will need to change your dimensions.

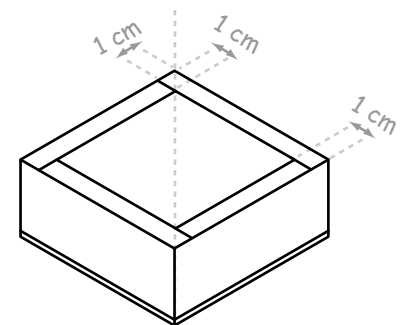


Now like with the cube task before, draw the basic outline of your box. Remember to use your required measurements. Draw in guidelines if you need them.



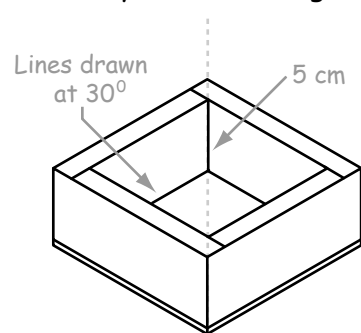
Step 1

Now add the bottom of your box which is 3mm plywood. Then add in the thickness of your sides. So now draw 1cm in from each corner then join the lines.



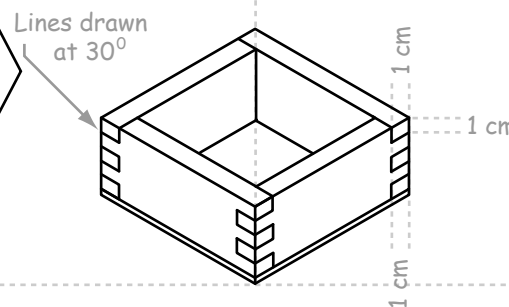
Step 2

Now add in the inside of your box. Draw a straight line at 90° and with a height of 5cm. Now draw the other two inside lines at 30° until they meet the edges.



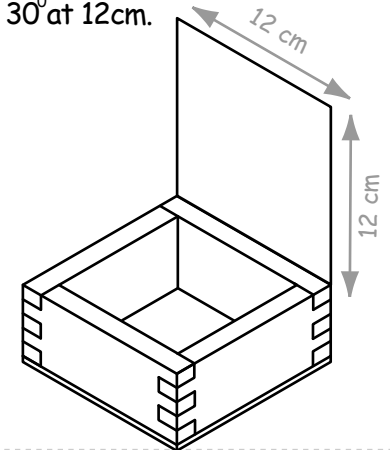
Step 3

Lets draw our finger joints! Mark 1cm for each square horizontally and vertically so you form a grid. Then add in the angled lines at 30°. Finally rub out the lines you do not need, so making finger joints!



Step 4

Lets add in our lid going 90° up at 12cm and across at 30° at 12cm.

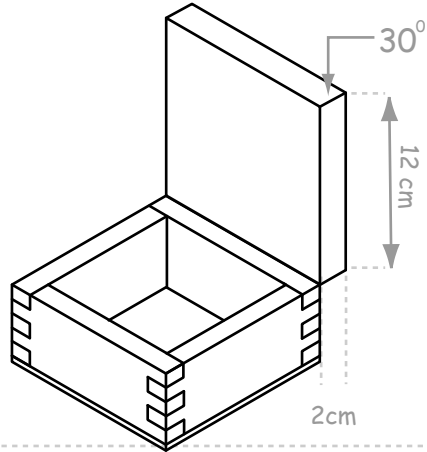


Step 5

Isometric projection box (Page 2 of 3)

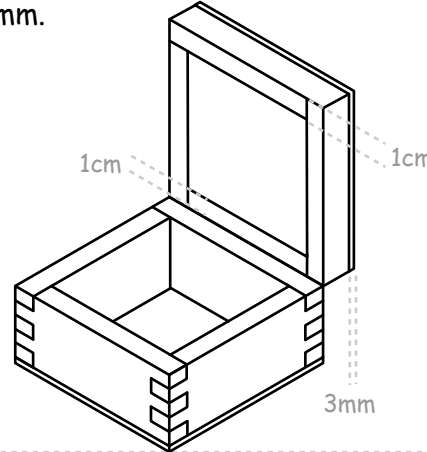
Remember to change your dimensions if you are drawing a rectangular box. Follow the same instructions just change your dimensions.

Now give your lid depth, draw 30° lines at 2cm from each corner then join them like so.



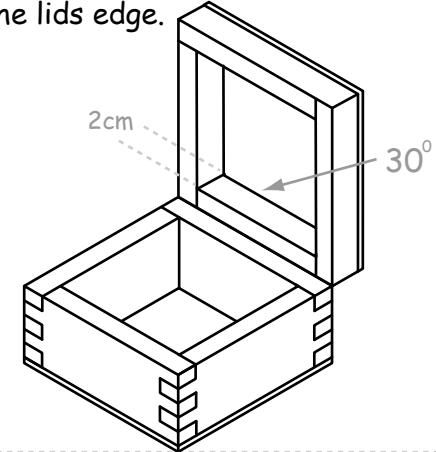
Step 6

Now draw your lids internal width like before at 1cm, then add your plywood lid top at 3mm.



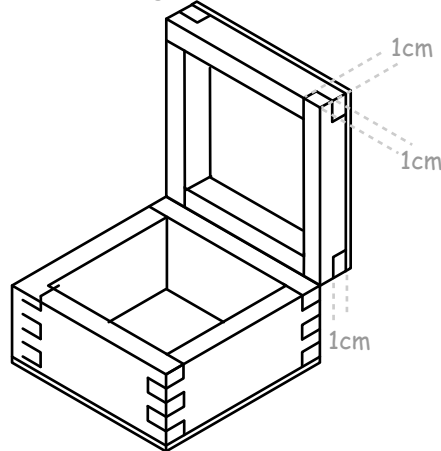
Step 7

Next draw in the internal lids thickness at 2cm at 30° , then draw two more lines to meet the lids edge.



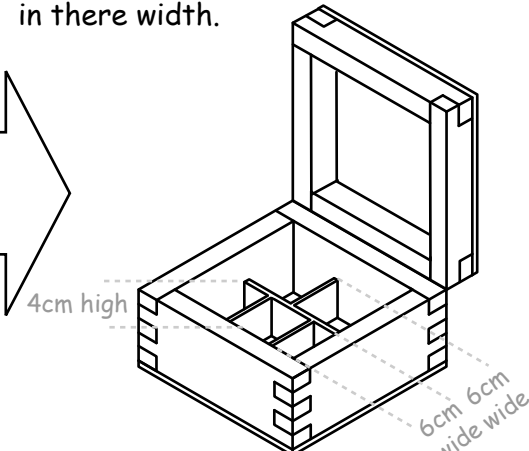
Step 8

Now draw your finger joints on your box lid at 1cm. (Make a grid like before!)



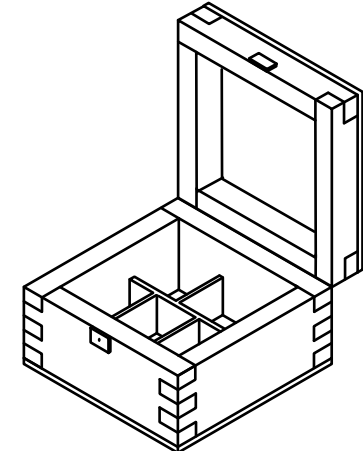
Step 9

Now draw in your internal compartment walls. Draw in how high they are then add in their width.



Step 10

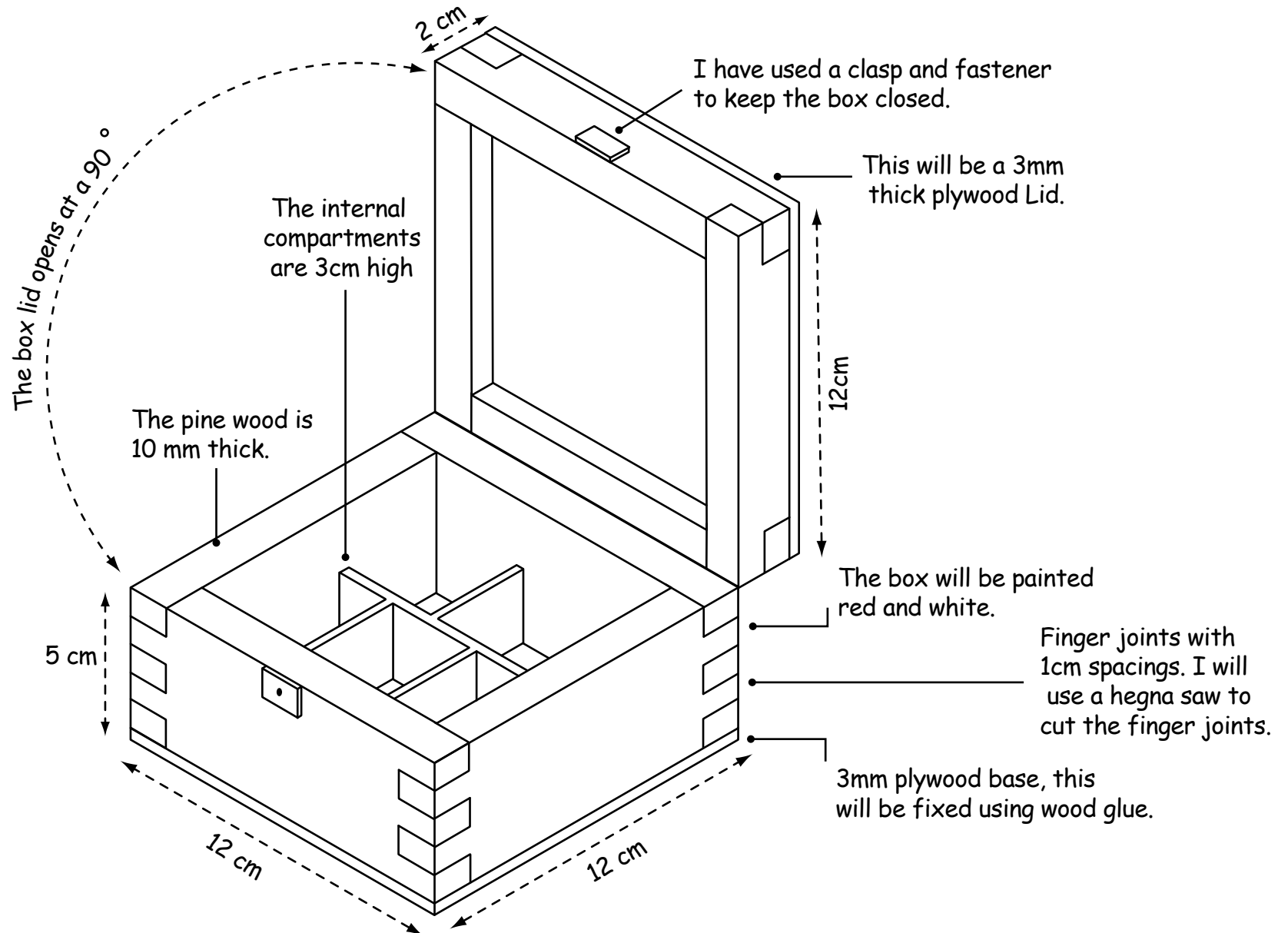
Finally add in any detail like your external design or clasps.



Step 11

Isometric projection box (Page 3 of 3)

Finally you need to add measurements, annotations and notes and a name block like the drawing below. Remember someone else needs to have enough information to make your box if you handed them your drawing.



Name: Mr K.Cooper

Drawing: Final box isometric drawing

Joint type: Finger Joint

Scale: 1:1

Date: Todays date